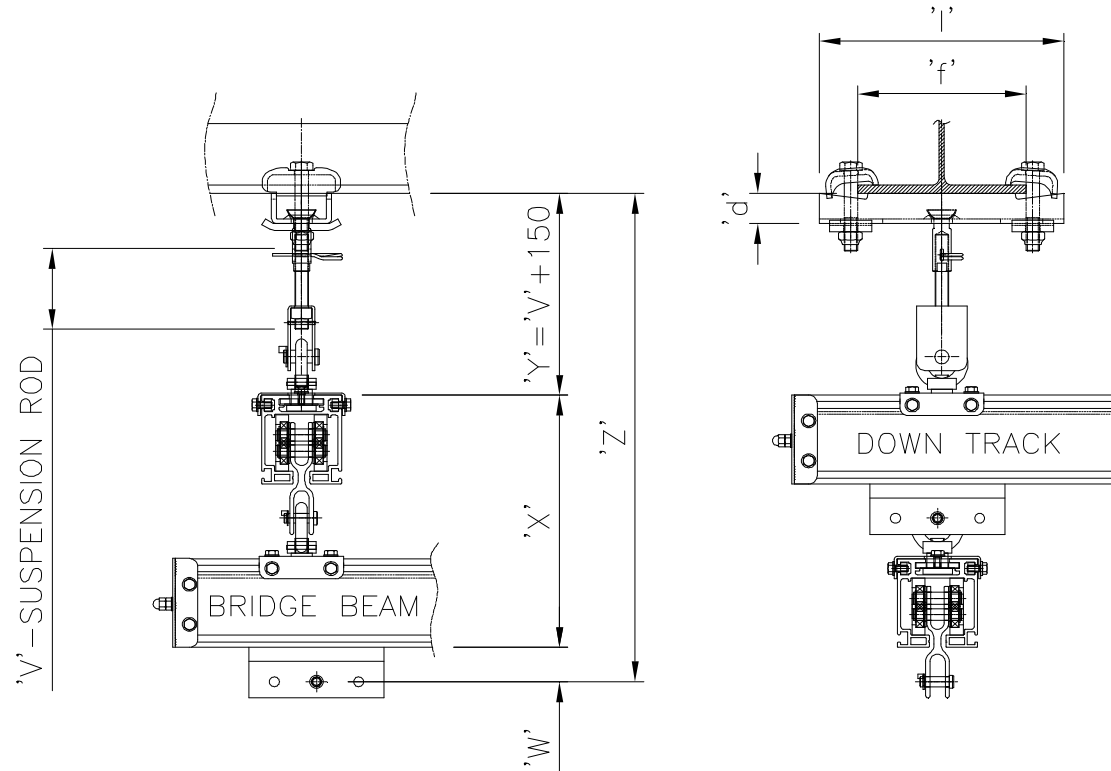


TRACK COMBINATION DIMENSIONS									
DOWN TRACK	AGR 1			AGR 3			AGR 4		
BRIDGE BEAM	AGR 1	AGR 3	AGR 4	AGR 1	AGR 3	AGR 4	AGR 1	AGR 3	AGR 4
V	100	100	100	100	100	100	100	100	100
W	42.5	42.5	42.5	42.5	42.5	42.5	42.5	42.5	42.5
X	312	362	362	362	412	412	362	412	412
Y	250	250	250	250	250	250	250	250	250
Z	604.5	654.5	654.5	654.5	704.5	704.5	654.5	704.5	704.5

NOTE! 100mm LONG SUSPENSION RODS (V) ARE SUPPLIED AS STANDARD. LONGER SUSPENSION RODS ARE AVAILABLE PLEASE CONTACT TO ACC TECHNICAL DEPARTMENT FOR FURTHER INFORMATION



BRACKET TYPE	f	d	l
A	71-139	37	221
B	100-208	37	290

